

# Zehnder ComfoPost

Technical specification for hydronic unit for pre/post air treatment



## General

Pre/post air treatment unit made of stainless steel with aluminium / copper exchange coil including ½" water connections (copper).

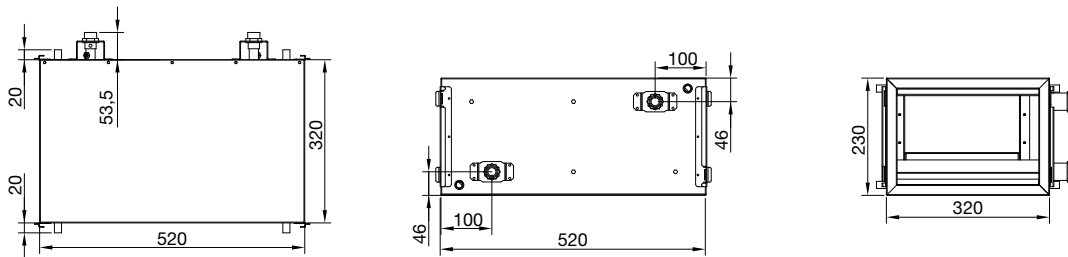


ComfoPost CW6

## Benefits

- Condensate tray and 4 copper pipes for collecting water drainage, diameter Ø 14 mm
- Total integrability with the InFloor distribution system
- Installation in series to silencer / mounting plate ComfoWell 320 or using the flange-plate ComfoWell for connection to the main duct
- Zehnder ComfoPost unit offers full air treatment to meet the NZEB and Passive House standards
- Water quantity in ComfoPost CW6: 0,6 litres

## Dimensions and hydraulic connections



## Specifications

Cooling/heating performances												
Air conditions IN		T	18 °C				17 °C			27°C	28°C	
		R.H.	25 %				60 %			80 %	55 %	
		A.H.	3,2 g/kg				7,3 g/kg			18,1 g/kg	13,1 g/kg	
Water temperature IN		°C	55	50	45	40	55	50	45	40	7	7
Air flow 250 m³/h	H <sub>2</sub> O flow	l/h	600				600			600	600	
	H <sub>2</sub> O temperature OUT	°C	52	47	43	38	51	47	42	38	11	10
	ΔP H <sub>2</sub> O	kPa	10	10	10	10	10	10	10	10	12	12
	Air temperature OUT	°C	51	46	42	37	49	45	41	36	15	14
	Air r.h. OUT	%	4	5	7	9	10	12	15	19	99	91
	Air a.h. OUT	g/kg	3,2	3,2	3,2	3,2	7,3	7,3	7,3	7,3	10,8	8,9
	Air ΔP	Pa	18	18	18	18	18	18	18	18	34	25
	Condensation	l/h	-	-	-	-	-	-	-	-	2,2	2,1
	Sensible power	kW	-	-	-	-	-	-	-	-	1,05	0,74
<b>TOTAL POWER</b>	<b>kW</b>	<b>2,65</b>	<b>2,28</b>	<b>1,92</b>	<b>1,56</b>	<b>2,73</b>	<b>2,36</b>	<b>2,00</b>	<b>1,64</b>	<b>2,55</b>	<b>2,11</b>	
Air flow 300 m³/h	H <sub>2</sub> O flow	l/h	600				600			600	600	
	H <sub>2</sub> O temperature OUT	°C	51	46	42	37	51	47	42	38	11	10
	ΔP H <sub>2</sub> O	kPa	10	10	10	10	10	10	10	10	12	12
	Air temperature OUT	°C	48	44	40	36	48	43	39	35	16	15
	Air r.h. OUT	%	5	6	7	9	10	12	15	19	99	90
	Air a.h. OUT	g/kg	3,2	3,2	3,2	3,2	7,3	7,3	7,3	7,3	11,4	9,3
	Air ΔP	Pa	23	23	23	22	23	23	23	22	44	32
	Condensation	l/h	-	-	-	-	-	-	-	-	2,4	2,2
	Sensible power	kW	-	-	-	-	-	-	-	-	1,12	0,89
<b>TOTAL POWER</b>	<b>kW</b>	<b>3,03</b>	<b>2,62</b>	<b>2,20</b>	<b>1,79</b>	<b>3,13</b>	<b>2,71</b>	<b>2,29</b>	<b>1,88</b>	<b>2,80</b>	<b>2,34</b>	

The basis for the above mentioned parameters correspond to the air treatment with a sensible exchanger and enthalpy exchanger; the values have been extrapolated from the PHI test results (summer and winter). Temperatures and humidities in accordance with PHI certificates: winter 2°C-70% RH / 20°C- 60% RH; summer 35°C-50%RH / 25°C-50%RH

## General

Pre/post air treatment unit made of stainless steel with aluminium / copper exchange coil including ½" water connections (copper).

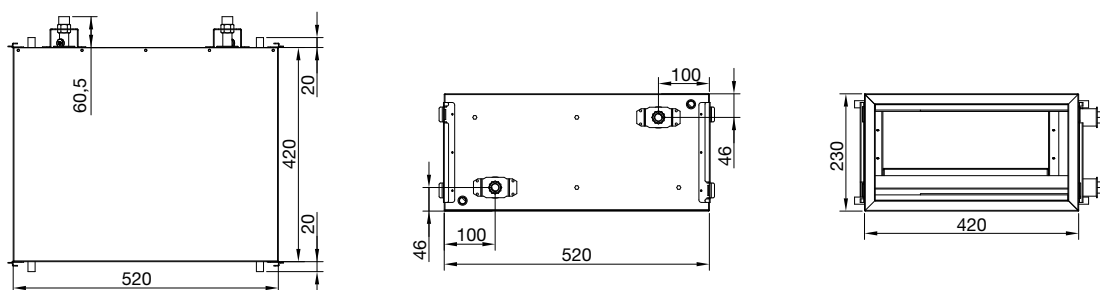


ComfoPost CW8

## Benefits

- Condensate tray and 4 copper pipes for collecting water drainage, diameter Ø 14 mm
- Total integrability with the InFloor distribution system
- Installation in series to silencer / mounting plate ComfoWell 420 or using the flange-plate ComfoWell for connection to the main duct
- Zehnder ComfoPost unit offers full air treatment to meet the NZEB and Passive House standards
- Water quantity in ComfoPost CW8: 0,8 litres

## Dimensional drawing



## Specifications

Cooling/heating performances												
Air conditions IN		T	18 °C				17 °C			27°C	28°C	
		R. H.	25 %				60 %			80 %	55 %	
		A. H.	3,2 g/kg				7,3 g/kg			18,1 g/kg	13,1 g/kg	
Water temperature IN		°C	55	50	45	40	55	50	45	40	7	7
Air flow 350 m³/h	H <sub>2</sub> O flow	l/h	600				600			600	600	
	H <sub>2</sub> O temperature OUT	°C	50	45	41	40	50	45	41	37	12	12
	ΔP H <sub>2</sub> O	kPa	11	11	12	12	11	11	12	12	14	14
	Air temperature OUT	°C	49	45	41	36	49	45	40	36	16	14
	Air r.h. OUT	%	5	5	7	9	10	13	16	20	99	91
	Air a.h. OUT	g/kg	3,2	3,2	3,2	3,2	7,3	7,3	7,3	7,3	11,0	9,1
	Air ΔP	Pa	17	17	17	17	17	17	17	17	33	39
	Condensation	l/h	-	-	-	-	-	-	-	-	3,0	3,2
	Sensible power	kW	-	-	-	-	-	-	-	-	1,4	1,7
<b>TOTAL POWER</b>		<b>kW</b>	<b>3,68</b>	<b>3,17</b>	<b>2,67</b>	<b>2,17</b>	<b>3,79</b>	<b>3,28</b>	<b>2,78</b>	<b>2,28</b>	<b>3,48</b>	<b>2,89</b>
Air flow 400 m³/h	H <sub>2</sub> O flow	l/h	600				600			600	600	
	H <sub>2</sub> O temperature OUT	°C	49	45	41	37	49	45	41	38	11	11
	ΔP H <sub>2</sub> O	kPa	11	11	12	12	11	11	12	12	14	14
	Air temperature OUT	°C	48	44	40	36	48	44	40	35	16	15
	Air r.h. OUT	%	5	6	7	9	11	13	16	20	99	90
	Air a.h. OUT	g/kg	3,2	3,2	3,2	3,2	7,3	7,3	7,3	7,3	9,1	9,3
	Air ΔP	Pa	21	21	20	20	21	21	20	20	25	29
	Condensation	l/h	-	-	-	-	-	-	-	-	1,7	1,8
	Sensible power	kW	-	-	-	-	-	-	-	-	1,5	1,8
<b>TOTAL POWER</b>		<b>kW</b>	<b>4,06</b>	<b>3,50</b>	<b>2,95</b>	<b>2,40</b>	<b>4,18</b>	<b>3,63</b>	<b>3,07</b>	<b>2,51</b>	<b>3,73</b>	<b>3,11</b>

The basis for the above mentioned parameters correspond to the air treatment with a sensible exchanger and enthalpy exchanger; the values have been extrapolated from the PHI test results (summer and winter). Temperatures and humidities in accordance with PHI certificates: winter 2°C-70% RH / 20°C- 60% RH; summer 35°C-50%RH / 25°C-50%RH

## General

Pre/post air treatment unit made of stainless steel with aluminium/ copper exchange coil including 1/2" water connections (copper).

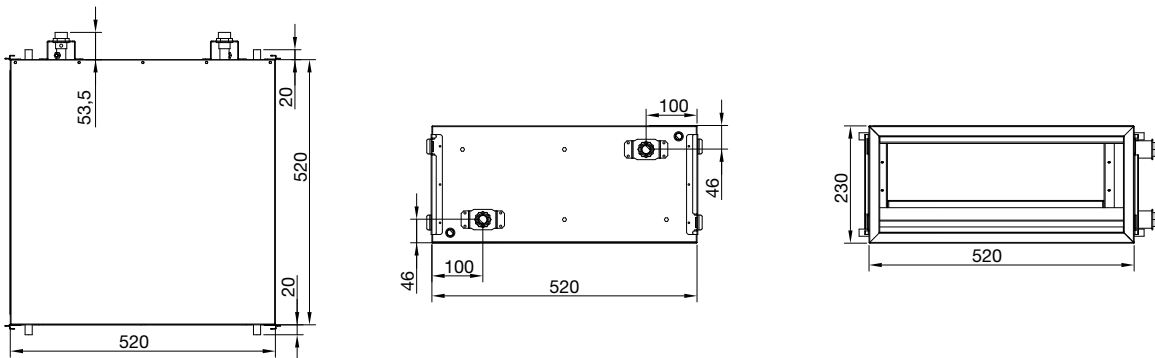


ComfoPost CW10

## Benefits

- Condensate tray and 4 copper pipes for collecting water drainage, diameter Ø 14 mm
- Total integrability with the InFloor distribution system
- Installation in series to silencer / mounting plate ComfoWell 520 or using the flange-plate ComfoWell for connection to the main duct
- Zehnder ComfoPost unit offers full air treatment to meet the NZEB and Passive House standards
- Water quantity of ComfoPost CW10: 1,0 litre

## Dimensional drawing



## Specifications

Cooling/heating performances												
Air conditions IN	T	18 °C				17 °C				27°C	28°C	
	U.R.	25 %				60 %				80 %	55 %	
	U.A.	3,2 g/kg				7,3 g/kg				18,1 g/kg	13,1 g/kg	
Water temperature IN	°C	55	50	45	40	55	50	45	40	7	7	
Air flow 450 m3/h	H <sub>2</sub> O flow	l/h	600				600				600	600
	H <sub>2</sub> O temperature OUT	°C	48	44	40	36	48	44	40	36	13	12
	ΔP H <sub>2</sub> O	kPa	13	13	13	13	13	13	13	13	16	16
	Air temperature OUT	°C	49	45	40	36	48	44	40	36	16	14
	Air r.h. OUT	%	5	6	7	9	10	13	16	20	99	91
	Air a.h. OUT	g/kg	3,2	3,2	3,2	3,2	7,3	7,3	7,3	7,3	11,2	9,17
	Air ΔP	Pa	17	17	17	16	17	17	17	16	32	24
	Condensation	l/h	-	-	-	-	-	-	-	-	3,7	2,1
	Sensible power	kW	-	-	-	-	-	-	-	-	1,74	2,14
<b>TOTAL POWER</b>	<b>kW</b>	<b>4,68</b>	<b>4,04</b>	<b>3,40</b>	<b>2,76</b>	<b>4,82</b>	<b>4,18</b>	<b>3,54</b>	<b>2,90</b>	<b>4,33</b>	<b>3,62</b>	
Air flow 500 m3/h	H <sub>2</sub> O flow	l/h	600				600				600	600
	H <sub>2</sub> O temperature OUT	°C	48	44	40	36	47	44	40	36	14	12
	ΔP H <sub>2</sub> O	kPa	13	13	13	13	13	13	13	13	16	16
	Air temperature OUT	°C	48	44	40	36	48	44	39	35	16	15
	Air r.h. OUT	%	5	6	7	9	11	13	16	20	99	90
	Air a.h. OUT	g/kg	3,2	3,2	3,2	3,2	7,3	7,3	7,3	7,3	11,6	9,4
	Air ΔP	Pa	19	19	19	19	19	19	19	19	37	27
	Condensation	l/h	-	-	-	-	-	-	-	-	3,9	2,2
	Sensible power	kW	-	-	-	-	-	-	-	-	1,83	2,30
<b>TOTAL POWER</b>	<b>kW</b>	<b>5,06</b>	<b>4,37</b>	<b>3,67</b>	<b>2,98</b>	<b>5,21</b>	<b>4,52</b>	<b>3,82</b>	<b>3,13</b>	<b>4,57</b>	<b>3,82</b>	

The basis for the above mentioned parameters correspond to the air treatment with a sensible exchanger and enthalpy exchanger; the values have been extrapolated from the PHI test results (summer and winter). Temperatures and humidities in accordance with PHI certificates: winter 2°C-70% RH / 20°C- 60% RH; summer 35°C-50%RH / 25°C-50%RH

## General

Pre/post air treatment unit with made of stainless steel with aluminium/ copper exchange coil including ½" water connections (copper).

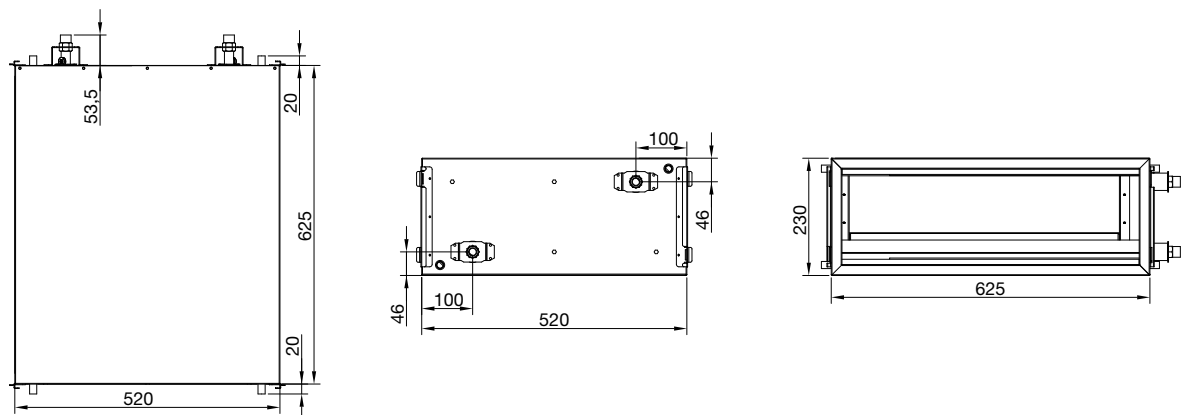


ComfoPost CW12

## Benefits

- Condensate tray and 4 copper pipes for collecting water drainage, diameter Ø 14 mm
- Total integrability with the InFloor distribution system
- Installation in series to silencer / mounting plate ComfoWell 625 or using the flange-plate ComfoWell for connection to the main duct
- Zehnder ComfoPost unit offers full air treatment to meet the NZEB and Passive House standards
- Water quantity of ComfoPost CW12 1,2 litre

## Dimensional drawing



## Specifications

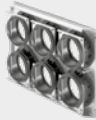
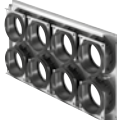
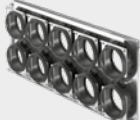

Cooling/heating performances												
Air conditions IN	T	18 °C				17 °C				27 °C	28 °C	
	U.R.	25 %				60 %				80 %	55 %	
	U.A.	3,2 g/kg				7,3 g/kg				18,1 g/kg	13,1 g/kg	
Water temperature IN	°C	55	50	45	40	55	50	45	40	7	7	
Air flow 550 m3/h	H <sub>2</sub> O flow	l/h	600				600				600	600
	H <sub>2</sub> O temperature OUT	°C	46	43	39	35	46	42	38	35	15	14
	ΔP H <sub>2</sub> O	kPa	16	16	16	16	16	16	16	16	19	19
	Air temperature OUT	°C	49	45	41	36	49	45	40	36	16	14
	Air r.h. OUT	%	4	5	7	8	10	12	15	19	99	93
	Air a.h. OUT	g/kg	3,2	3,2	3,2	3,2	7,3	7,3	7,3	7,3	11,1	9,1
	Air ΔP	Pa	14	14	13	13	14	14	13	13	25	18
	Condensation	l/h	-	-	-	-	-	-	-	-	4,7	2,6
	Sensible power	kW	-	-	-	-	-	-	-	-	2,17	2,67
<b>TOTAL POWER</b>	<b>kW</b>	<b>5,91</b>	<b>5,11</b>	<b>4,3</b>	<b>3,5</b>	<b>6,1</b>	<b>5,29</b>	<b>4,48</b>	<b>3,67</b>	<b>5,41</b>	<b>4,52</b>	
Air flow 600 m3/h	H <sub>2</sub> O flow	l/h	600				600				600	600
	H <sub>2</sub> O temperature OUT	°C	46	42	38	35	46	42	38	34	15	14
	ΔP H <sub>2</sub> O	kPa	16	16	16	16	16	16	16	16	19	19
	Air temperature OUT	°C	48	44	40	36	48	44	40	36	16	14
	Air r.h. OUT	%	5	6	7	9	10	13	16	20	99	92
	Air a.h. OUT	g/kg	3,2	3,2	3,2	3,2	7,3	7,3	7,3	7,3	11,3	9,3
	Air ΔP	Pa	15	15	15	15	15	15	15	15	29	20
	Condensation	l/h	-	-	-	-	-	-	-	-	4,8	2,7
	Sensible power	kW	-	-	-	-	-	-	-	-	2,26	2,84
<b>TOTAL POWER</b>	<b>kW</b>	<b>6,30</b>	<b>5,44</b>	<b>4,59</b>	<b>3,73</b>	<b>6,51</b>	<b>5,64</b>	<b>4,78</b>	<b>3,92</b>	<b>5,64</b>	<b>4,73</b>	

The basis for the above mentioned parameters correspond to the air treatment with a sensible exchanger and enthalpy exchanger; the values have been extrapolated from the PHI test results (summer and winter). Temperatures and humidities in accordance with PHI certificates: winter 2°C-70% RH / 20°C- 60% RH; summer 35°C-50%RH / 25°C-50%RH

## Overview of pre/post air treatment components

Picture	Product description	Dimensions (L x W x D in mm)	Article no.
	ComfoPost CW 6	500 x <b>320</b> x 230	398 480 002
	ComfoPost CW 8	500 x <b>420</b> x 230	399 000 004
	ComfoPost CW 10	500 x <b>520</b> x 230	398 480 003
	ComfoPost CW 12	500 x <b>625</b> x 230	399 000 003
	ComfoWell Silencer CW-S 320	500 x <b>320</b> x 230	990 323 501
	ComfoWell Silencer CW-S 420	500 x <b>420</b> x 230	990 323 504
	ComfoWell Silencer CW-S 520	500 x <b>520</b> x 230	990 323 502
	ComfoWell Silencer CW-S 625	500 x <b>625</b> x 230	990 323 505

## Overview of pre/post air treatment components

Picture	Product description	Dimensions (W x H x D in mm)	Article no.
	ComfoWell Mounting plate CW-M 320 -6x 75/P	<b>320</b> x 40 x 230	990 323 612
	ComfoWell Mounting plate CW-M 320 -6x 90/P	<b>320</b> x 40 x 230	990 323 613
	ComfoWell Mounting plate CW-M 420 -6x 75/P	<b>420</b> x 40 x 230	990 323 621
	ComfoWell Mounting plate CW-M 420 -6x 90/P	<b>420</b> x 40 x 230	990 323 622
	ComfoWell Mounting plate CW-M 520 -6x 75/P	<b>520</b> x 40 x 230	990 323 614
	ComfoWell Mounting plate CW-M 520 -6x 90/P	<b>520</b> x 40 x 230	990 323 615
	ComfoWell Mounting plate CW-M 625 -6x 75/P	<b>625</b> x 40 x 230	990 323 631
	ComfoWell Mounting plate CW-M 625 -6x 90/P	<b>625</b> x 40 x 230	990 323 632
	Control unit CA Control		399 000 011
	Control PostIso- Supply air temperature probe		399 000 016

